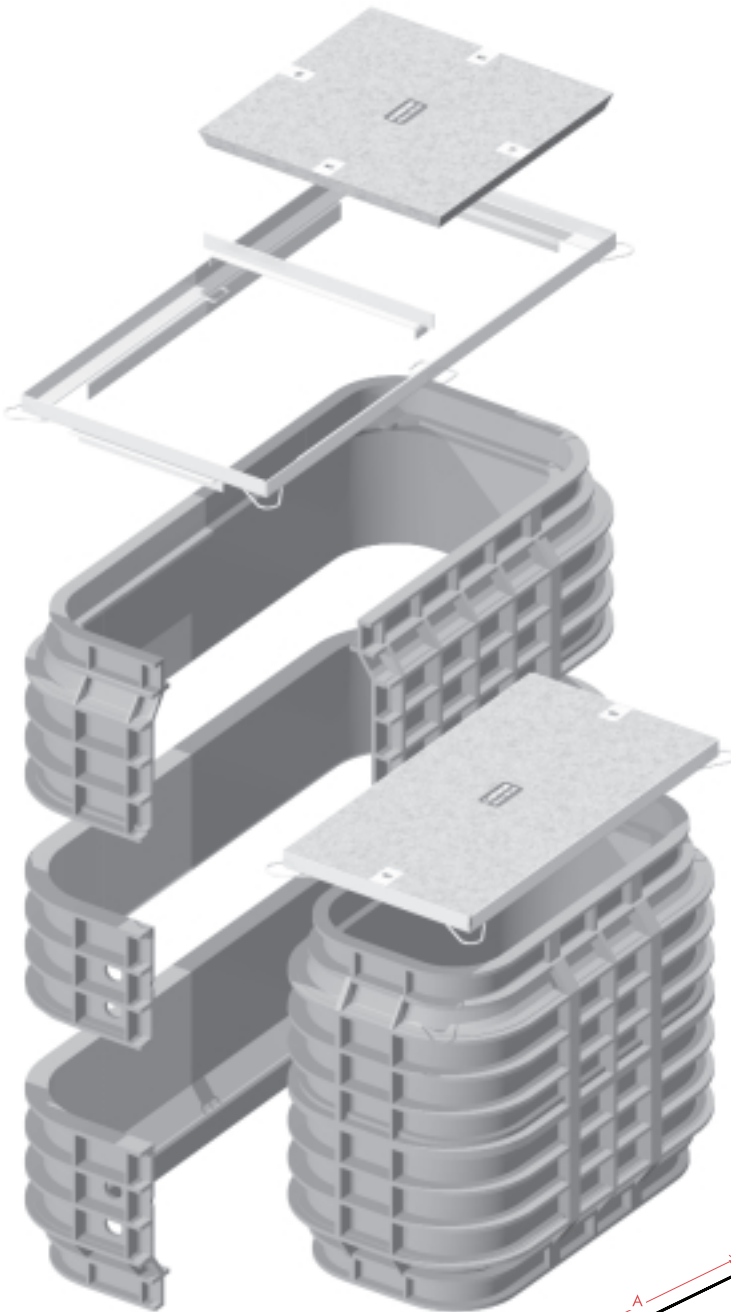


FOOTWAY JB4



Product Concrete Cover & Frame
 1836 - EN124 Class B125
 Concrete Infill and Galvanised Steel Frame

Product Box
 1836-36

Dimensions:

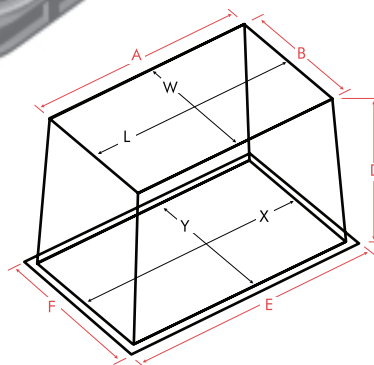
Inside	Outside	
L/W 915/470	A/B 985/540	D 910
X/Y 1050/550	E/F 1105/660	

Product Concrete Cover & Frame
 2454 - EN124 Class B125
 Concrete Infill and Galvanised Steel Frame

Product Box
 2454-36

Dimensions:

Inside	Outside	
L/W 1370/610	A/B 1440/690	D 910
X/Y 1450/690	E/F 1555/800	



- Options:**
- Duct Holes
 - Internal cable furniture
 - Steps

Application Notes: Carson boxes are suitable for a wide range of applications, from grass verge (A15) to car park applications (B125). It is important to select the correct cover and frame and installation method to suit the loading and local conditions. Technical advice is available from Carson. These products are not designed for carriageway use. Due to our policy of continuous improvement, we reserve the right to change specifications without notice.