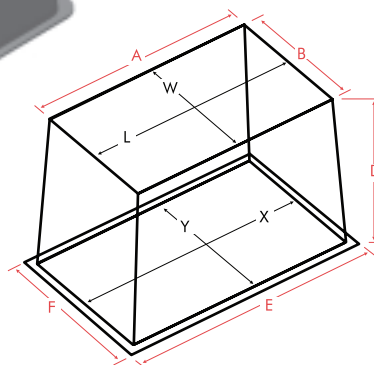
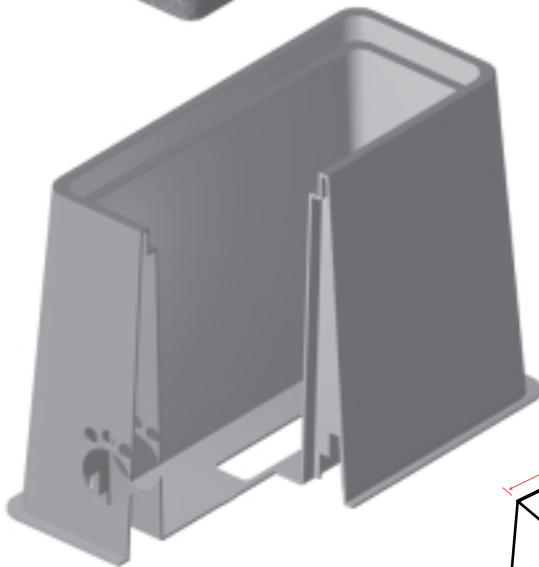
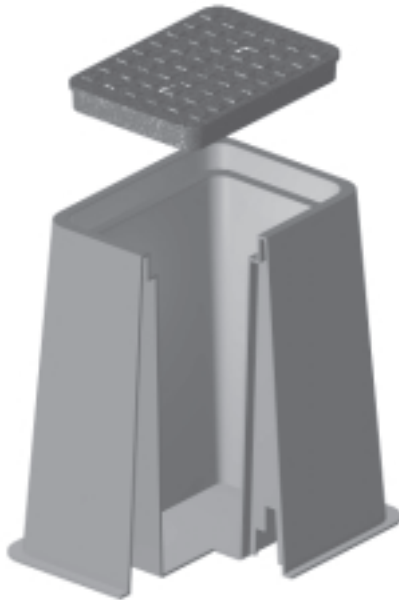


**JOINT BOX JB11 & JB12**



Product Drop-in Ductile Iron Cover

Product Box  
 JB11

Dimensions:

| Inside      | Outside     | D 625 |
|-------------|-------------|-------|
| X/Y 380/255 | A/B 510/380 |       |
| L/W 335/210 | E/F 585/460 |       |

Product Drop-in Ductile Iron Cover

Product Box  
 JB12

Dimensions:

| Inside      | Outside     | D 620 |
|-------------|-------------|-------|
| X/Y 730/260 | A/B 855/380 |       |
| L/W 680/210 | E/F 935/460 |       |

Options & Accessories:

- Joint bracket
- Joint mounting points

Application Notes: Carson boxes are suitable for a wide range of applications, from grass verge (A15) to car park applications (B125). It is important to select the correct cover and frame and installation method to suit the loading and local conditions. Technical advice is available from Carson. These products are not designed for carriageway use. Due to our policy of continuous improvement, we reserve the right to change specifications without notice.

