

## EARTHING

### Earth Bars - For Earth Housing

These earth bars fit into slots provided in the plastic and concrete earth housings where multiple connections are required to the earth rod.

Available with five or seven hole connections.

To suit ERH01.

L	W	D	Holes	Weight	Pack Qty	Part Number
300	31	6	5	0.49	1	EBC 05
		6	7	0.50	1	EBC 07

To suit ERH20 + ERH21.

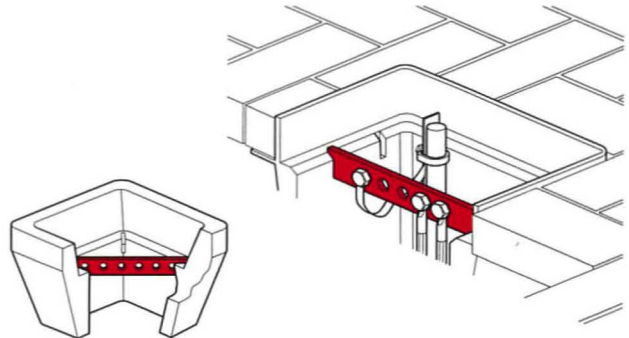
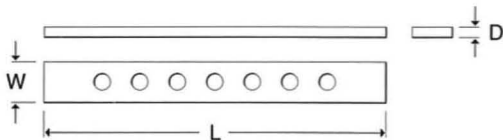
L	W	D	Holes	Weight	Pack Qty	Part Number
250	31	6	5	0.42	1	EBC 25
		6	7	0.39	1	EBC 27

To suit EPP001 + EPP002.

L	W	D	Holes	Weight	Pack Qty	Part Number
203	25	6	5	0.24	1	EBC 35
		6	7	0.22	1	EBC 37

#### Material:

Hard Drawn Copper Bar.



### Insulators

These Wallis insulators are supplied with or without studs and locking nuts.

Available for insulating conductors from each other or against a wall they offer a point of disconnecting to test the earthing system.

H	W	W1	Thread Size	Weight	Pack Qty	Part Number
40	46	35	M10	0.08	10	EBI 001
		35	M10	0.17	10	EBI 002

#### Material:

Reinforced Polyester with Metal Inserts.  
Threads and Nuts complete with EBI 002.

