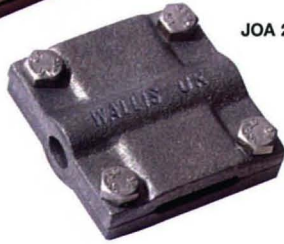


JOM 253



JOA 253

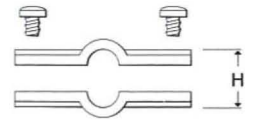
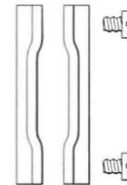
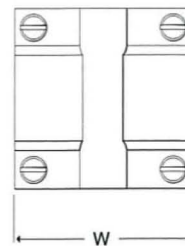
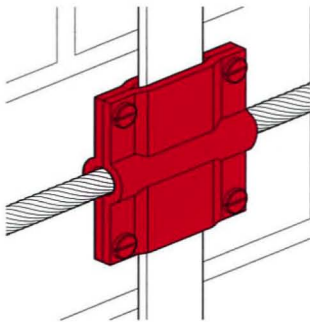
Cable to Tape Joint

These Wallis four way connectors are suitable for crossing over tapes and cable, making straight through joints or T connections in a continuous network.

To Suit	Conductor	Tape	W	H	Weight Qty	Pack	Part Number
Copper	8 diameter or 50 sqm	25 X 3	52	14	0.28	10	JOM 253
Aluminium	8 diameter or 50 sqm	25 X 3	52	14	0.09	10	JOA 253

Material:

Gunmetal or Aluminium.



Universal Cable Connector

This connector is suitable for joining cables in a test point as part of the lightning protection system.

Three sizes cover a range of cables from 70 - 120sq mm.

Conductor Size	L	W	H	Weight	Pack Qty	Part Number
70 sq mm	71	21	19	0.15	10	UC 070
95 sq mm	71	21	19	0.17	10	UC 095
120 sq mm	71	21	19	0.19	10	UC 120

Material:

Naval Brass.

